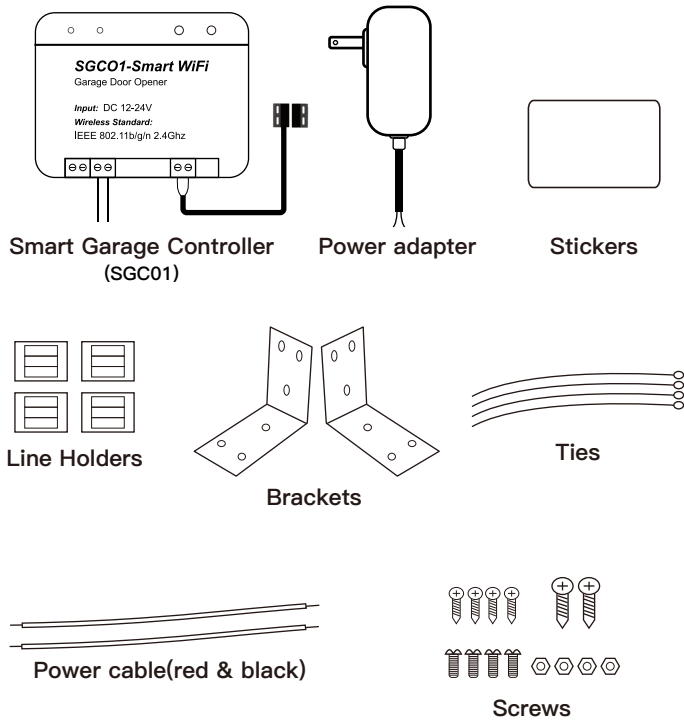


Wi-Fi SMART GARAGE DOOR OPENER

USER MANUAL



— 01 —

Test Device For Module Compatibility

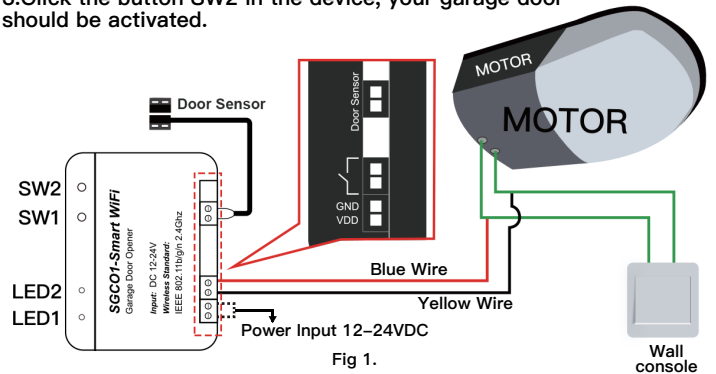
1. Turn off all power, use the included Yellow & Blue wire connect the device to your module. Put each end to the same terminals as the wall button wires are terminated to.

*Choose any of the power connections as below:(Fig 1)

- ① Use the power adapter: connect the red wire of the power adapter to the VDD of the WiFi controller, the black wire to the GND of the WiFi controller, and the power adapter to the socket of 100–240VAC.
- ② Take power directly from the garage door control panel: connect one end of the power cable (red and black) to the WiFi controller, and the other end to the corresponding power interface VDD and GND (12–24V) on the garage door machine. If you can't find the power interface, please use method ①.

2. Power up all device, the LED2 will be on which means the device has been powered up successfully.

3. Click the button SW2 in the device, your garage door should be activated.



* If this test fails, your device may not be compatible, please contact sales06@jujiang.net.cn for help.

Test OK! Click the button SW2 every time, the garage door will open or close.

— 02 —

Below are checklist before using the device:

- Your smart phone or tablet should have connected a 2.4G WiFi with internet.
- The device only supports 2.4G Wi-Fi. If you use a 5G router (it provides two Wi-Fi signals: 5G and 2.4G), please select the 2.4G WiFi to connect your smart phone.
- Choose a way to download APP:
 - ① Scan the QR code

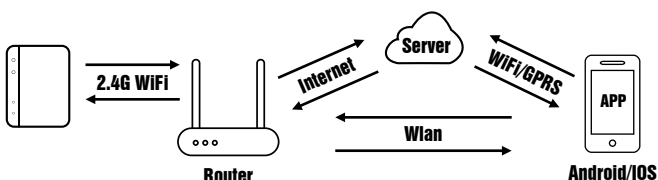


For Android / iOS

- ② Search for "Xhouse" on Google Play. Please select APP "Xhouse", not APP "X-House".

Search for "Xhouse-Smart Home" on App Store.

- During pairing process, make sure that your IOS or Android device and the garage are within the range of your WiFi router.
- Make sure your router is MAC-open. If not please cancel the router's MAC filtering setting first.



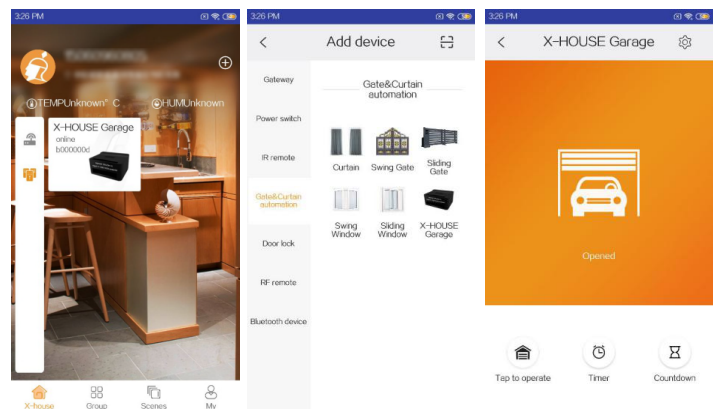
— 03 —

Add Device

* The garage door will be activated when added successfully (when LED 1 is on), so keep your door closed first.

- ① Power up the garage device, the LED2 will be on.
- ② Launch APP, tap the icon "+" on the right top.
- ③ Select the "Gate&Curtain automation" → Select "Garage" type.
- ④ Keep pressing the button SW1 on the smart garage door opener for 5 seconds and release the button after the buzzer sounds beep beep. The buzzer will beep once a second which means it is entering into the network configuration mode. Input the correct 2.4G WiFi passwords. Then, tap next step. It will auto-connect with the device and LED1 will be on.
- ⑤ Move the sensor to check if it is functional.

* Initialize settings: Keep pressing the button SW1 for 10 seconds, buzzer sounds a long beep, release the button to initialize successfully, and enter the network configuration mode.

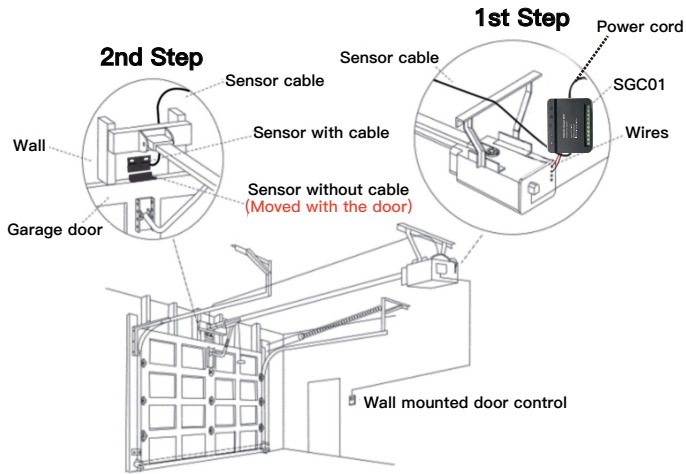


— 04 —

EASY INSTALLATION

*Do this installation After you successfully added the device to your app.

*Keep your garage door is closed.



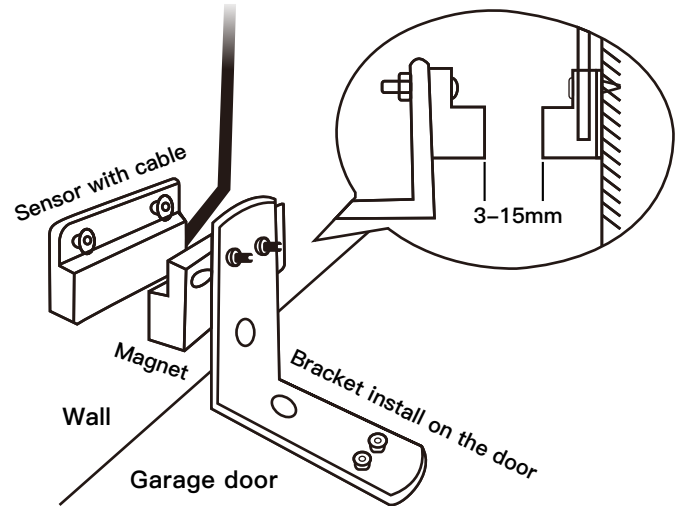
— 05 —

Step 1:

Power up the garage door controller and connect to the garage door motor. Insert the Red&Black wire terminal to the garage, then put each end to the same terminals as the wall button wires are terminated to.

Step 2:

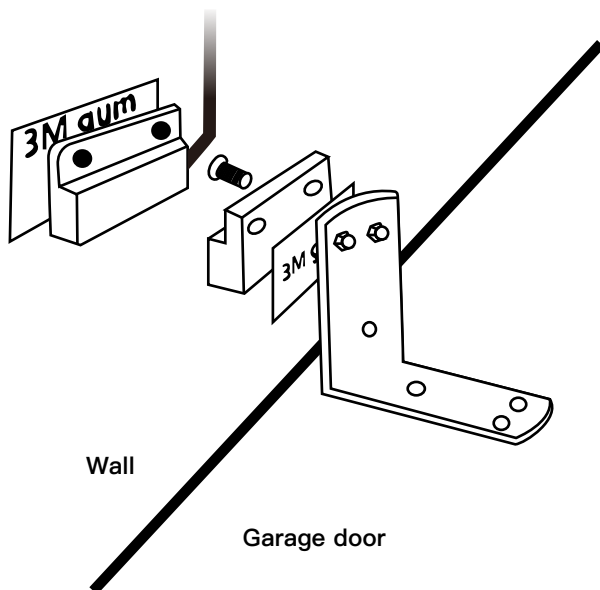
Insert the 2.0mm terminal of the sensor to the garage, then steady install the sensor and the magnet of the gap within 3mm to 15mm on your garage door with screws/bracket/3M gums/wall nail/line holders/ties.



— 06 —

* Deploy the device: we recommend to deploy it on the top of your existing garage door opener. Use the provided double-sided adhesive tapes for the fixation if necessary.

* Mount the sensors: if it is hard to install with screws, you can also use the 3M gums to finish. If you are worried about the steady, you can use both screws and 3M gums.



— 07 —

HOW TO WORK WITH ALEXA

Control this product with your voice through select Alexa devices! Search and enable “XHOUSE-SMART-HOME” in your Amazon Alexa APP. The mobile number /e-mail register for XHOUSE-SMART-HOME account should be the same as XHouse APP. After login, it will discover devices. Please make sure you open the smart garage door opener before search.

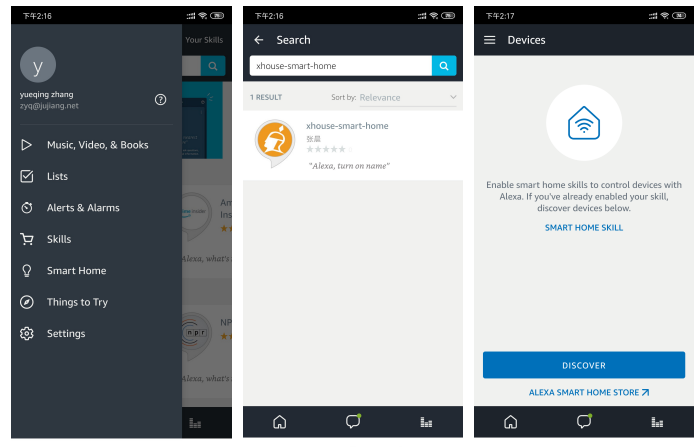
Important Notes :

- 1.Voice control support Garage ON /OFF .
- 2.Once you revise the name of the garage in XHouse APP , Alexa won't be able to find the device by the revised name . Please search for the device again in Amazon Alexa APP .

The voice commands are as following:

- “Hi Alexa, turn on garage”.
- “Hi Alexa, turn off garage”.

Note: Please replace “garage” to the garage door name you set.



— 08 —